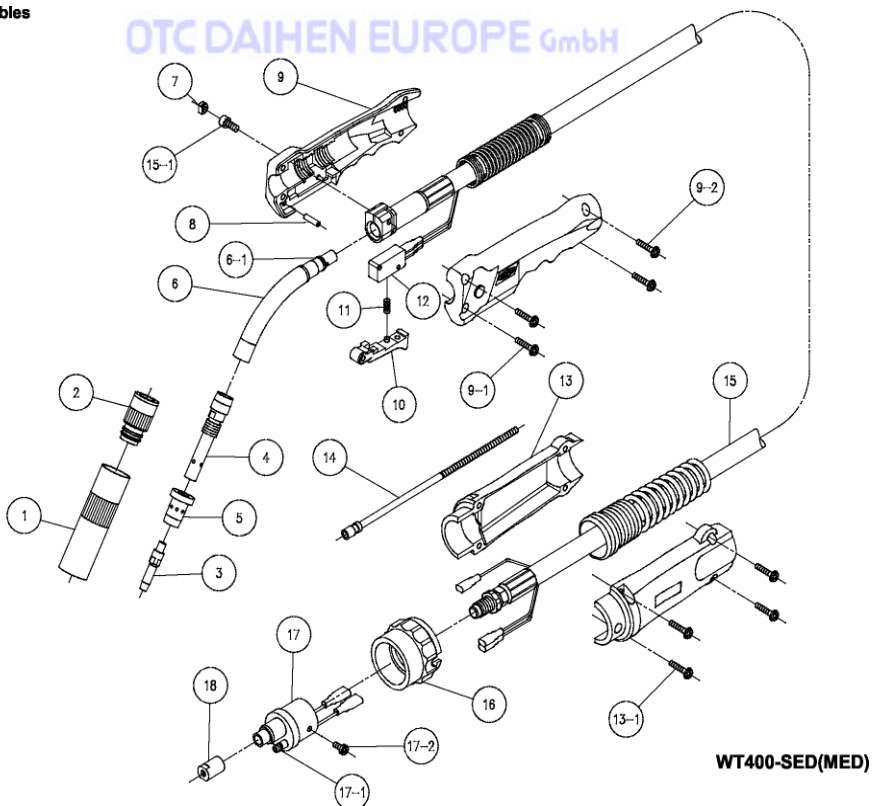


# Standard partlist for WT400 – SED(MED)

Pos	article-No.	description	number	category	remark
	<b>WT400-SED</b>	<b>welding torch</b>	<b>1</b>	<b>WM25</b>	3,0 mtr. Cable lenght
	<b>WT400-MED</b>	<b>welding torch</b>	<b>1</b>	<b>WM25</b>	4,5 mtr. Cable lenght
1*	U4530J01	Nozzle	1	WP32	I.D. 16 mm
2*	U4173L00	Insulator	1	WP32	
3*	K980C32	Contact tip	1	WP32	
4*	U4173G21	Tip body	1	WP32	
5*	U4173G02	Orifice	1	WP32	
6*	U5783B00	Torch body	1	WP32	
6,1	3574-001	O-ring ( S9 )	1	WP35	
7	U5341G01	Cap	1	WP35	
8	U5035G03	Parallel pin	1	WP35	
9	U5035G00	Handle	1	WP35	Incl. screws
9,1	100-0308	Screw for handle			M4 x 20
9,2	100-0306	Screw for handle			M4 x 16
10	U5035E01	Trigger	1	WP35	
11	U157E04	Spring	1	WP35	
12	4254-137	Micro switch	1	WP35	Dustproof type
13	U5035K00	Cable support	1	WP35	Incl. screws
13,1	100-0306	Screw for cable support	4		M4 x 16
14*	U4173G04	Liner, 3,0 mtr	1	WP32	1.2 - 1.6 mm
	U4537G01	Liner, 4,5 mtr.	1	WP32 WP35	1.2 - 1.6 mm
15	U5353D00	Power cable, 3,0 mtr.	1		Incl. support spring
	U5354D00	Power cable, 4,5 mtr.	1	WP35 144,00	Incl. support spring
15,1	100-0310	Socket screw	1		M5 x 14
			1		
16	U5685N00	Adaptor nut		WP35	
17	U5779E00	Adaptor	1	WP35	Euro connection
17,1	3573-002 O - ring		1	WP35 0,76	
17,2	100-0297	Screw	1		M4 x 8
18	U5779E01	Liner nut 1		WP35	

\*=consumables

OTC DAIHEN EUROPE GmbH



WT400-SED(MED)

\*=consumables

WT400-SED(MED)