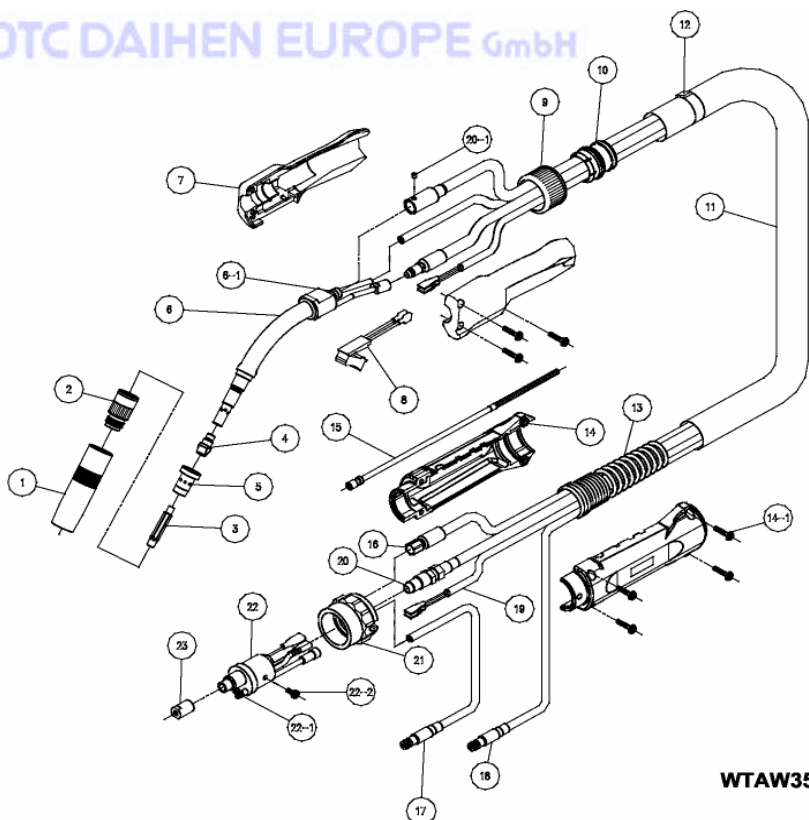


# Standard partlist for WTAW350 – SED

Pos	article-No.	description	number	category	remark
	<b>WTAW350-SED</b>	<b>welding torch</b>	<b>1</b>	<b>WM25</b>	3 mtr. Cable length
1*	U5377G01	Nozzle	1	WP32	I.D. 16 mm
2*	U5626X00	Insulator	1	WP32	
3*	K980B20	Contact tip	1	WP32	
4*	U5626M01	Tip nut	1	WP32	
5*	U4173G02	Orifice	1	WP32	
6*	U5626B00	Torch body	1	WP32	
6,1	3574-001	O-ring ( S9 )	1	WP35	
7	U5626P00	Handle	1	WP35	Incl. screws
8	U5626Q00	Trigger	1	WP35	
9	U5359G01	Lock ring	1	WP35	
10	U5626R01	End joint	1	WP35	
11	U5626R02	Hose sheath, 3.0 mtr	1	WP35	
12	4739-606	Binder	1	WP35	
13	U5626M04	Spring	1	WP35	
14	U5626K00	Cable support	1	WP35	Incl. screws
14,1	100-0307	Screw for cable support	4		M4 x 18
15*	U5793N00	Liner, MIG	1	WP32	1.0- 1.2 mm
16	U5626D00	Power cable, 3.0 mtr.	1	WP35	
17	U5791F00	Water hose (out)	1	WP35	
18	U5626G00	Water hose (in), 3.0 mtr.	1	WP35	
19	U5626H00	Switch cord, 3.0 mtr. 1		WP35 WP35	
20	U5791J00	Conduit, 3.0 mtr. 1			
20,1	100-0312	Screw for conduit 1			M4 x 5
21	U5685N00	Adaptor nut	1	WP35	
		Adaptor	1		
22	U5791V00	Adaptor			
22,1	3573-002	O-Ring	1	WP35	
22,2	100-0297	Screw for adaptor	1		M4 x 8
23	U5779E01	Liner nut	1	WP35 WP35	
	4739-607	Hexalobular Socket screw	1		type No.8

\*=consumables

OTC DAIHEN EUROPE GmbH



**WTAW350-SED**  
**- 9 -**